

FOLLO LED

Lampe de bureau LED



[V] 220-240 AC	[Hz] 50/60	[W] 6	[lm] 340	[°] 95	[h] ≥12000
[h] 20000	Tc [K] 3000	Ra ≥80	SMD	IP 20	[m] 0,1m
[°] 360	[°] 360	[m] 1.8	CE	EAC	



28790	FOLLO LED W	blanc
28791	FOLLO LED B	noir



- Matériau du boîtier: matière plastique
- Matériau du diffuseur: matière plastique

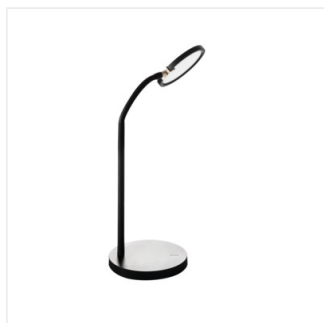


FOLLO LED

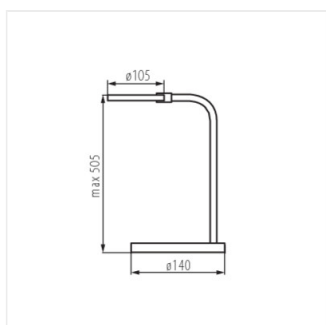
Lampe de bureau LED



FOLLO LED W



FOLLO LED B



FOLLO LED